

# ECCL Column Cap

ENTER DIMENSIONS ONLY IF DIFFERENT FROM THOSE SHOWN IN CATALOG.

Job No: \_\_\_\_\_ Take Off By: \_\_\_\_\_ Date Needed: \_\_\_\_\_ Date Ordered: \_\_\_\_\_

Model Number: \_\_\_\_\_ Quantity: \_\_\_\_\_

**BEAM & POST DIMENSIONS:**

(Provide actual lumber dimensions in inches)

Beam A Width & Height (Fig. 1) = \_\_\_\_\_

Post Width (Fig. 2) = \_\_\_\_\_  
(Width of post between straps)

Beam B Width & Height (Fig. 1) = \_\_\_\_\_

**REQUIRED LOADS:** (In pounds)

(A) Bearing (Fig. 1) = \_\_\_\_\_

(B) Bearing (Fig. 1) = \_\_\_\_\_

**CONNECTOR DIMENSIONS:**

(Provide connector dimensions in inches)

W<sub>1</sub> (Fig. 1) = \_\_\_\_\_

W<sub>2</sub> (Fig. 2) = \_\_\_\_\_

W<sub>3</sub> (Fig. 1) = \_\_\_\_\_

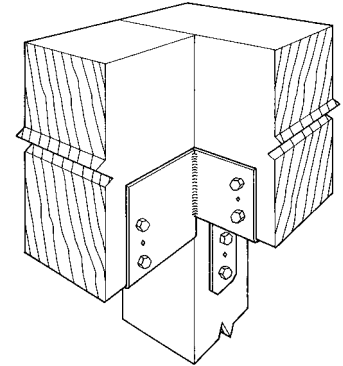
H<sub>1</sub> (Fig. 3) = \_\_\_\_\_

(See catalog for standard H<sub>1</sub> dimension)

H<sub>2</sub> (Fig. 3) = \_\_\_\_\_

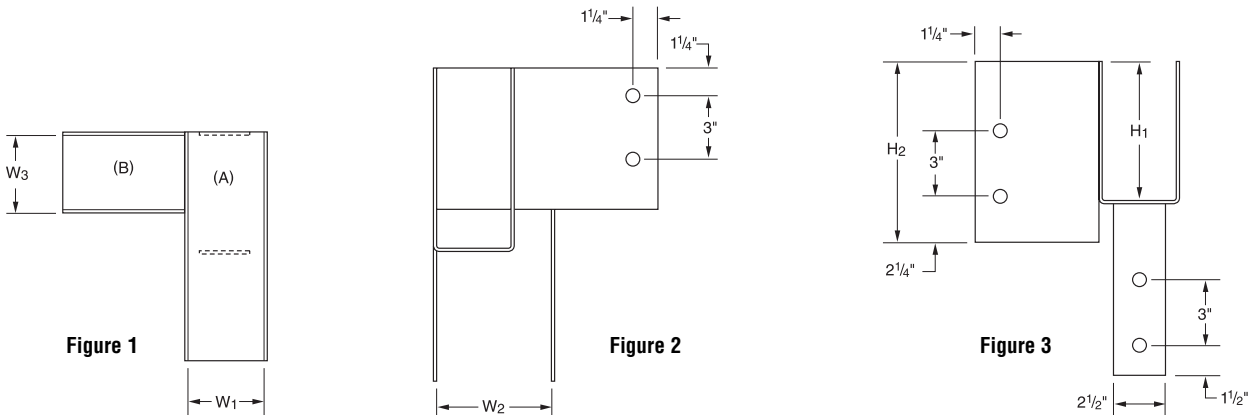
(6½" Min., 3½" for ECCL44.  
H<sub>2</sub> = H<sub>1</sub> for same beam heights)

Direction = LEFT or RIGHT  
(Circle one)



Typical ECCL Installation

ECCLL (for left) shown. Order ECCLR for right.



See the current Simpson Strong-Tie *Wood Construction Connectors* catalog for General Notes and warranty information. Use all specified fasteners. **Non-catalog products must be designed by the customer and will be fabricated by Simpson Strong-Tie Co. Inc. in accordance with customer specifications. Simpson Strong-Tie Co., Inc. cannot and does not make any representations regarding the suitability of use or load carrying capacities of non-catalog products. Simpson Strong-Tie Co., Inc. provides no warranty, expressed or implied, on non-catalog products.** The performance of such modified products or altered installation procedures is the sole responsibility of the designer. All orders for hangers requiring deviations other than what is on this worksheet must be accompanied by a detailed sketch or stamped engineering drawing.

**Home Office**  
4120 Dublin Blvd., Ste 400  
Dublin, CA 94568  
FAX: 925/833-1496

**Southwest USA**  
260 N. Palm Street  
Brea, CA 92821  
FAX: 714/871-9167

**Southeast USA**  
2221 Country Lane  
McKinney, TX 75069  
FAX: 972/542-5379

**Eastern Canada**  
5 Kenview Blvd.  
Brampton, ON L6T 5G5  
FAX: 905/458-7274

**Warehouses:**  
Enfield, CT  
Jacksonville, FL  
Langley, BC

**Northwest USA**  
5151 S. Airport Way  
Stockton, CA 95206  
FAX: 209/234-3868

**Northeast USA**  
2600 International Street  
Columbus, OH 43228  
FAX: 614/876-0636

**Quik Drive Factory**  
436 Calvert Drive  
Gallatin, TN 37066  
FAX: 615/451-9806

**Western Canada**  
11476 Kingston St.  
Maple Ridge, BC V2X 0Y5  
FAX: 604/465-0297

**Specials Factories:**  
Eagan, MN  
Kent, WA

**800-999-5099**  
**www.strongtie.com**

© Copyright 2006 Simpson Strong-Tie Company, Inc.

Printed in the USA

T-ECCL-WS06 2/06